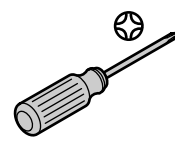
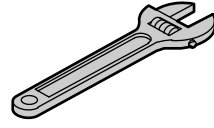


KALLISTA®

Installation Guide



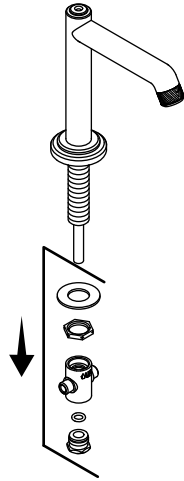
Stainless (Non-Staining) Plumbers Putty
Mastic de plombier non tachant
Masilla de plomería que no manche



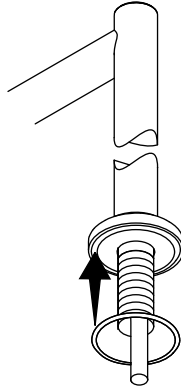
Sealant Tape
Ruban d'étanchéité
Cinta selladora

Do not use petroleum-based plumbers putty on marble or stone surfaces.

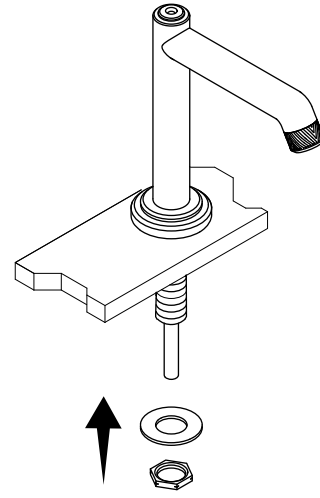
1 Remove the bottom components. Disassemble the tee.



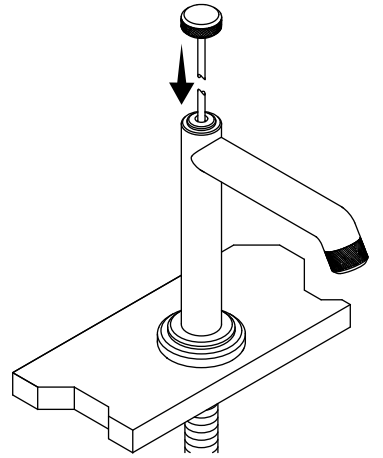
2 Install the O-ring. Install the faucet.



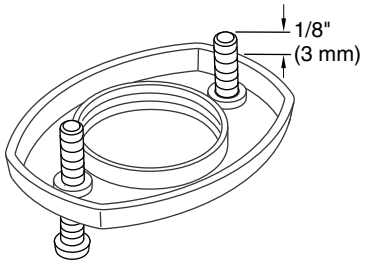
3 Secure the faucet.



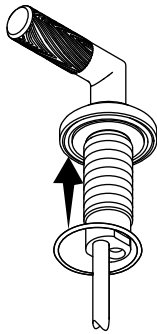
4 Install the lift rod.



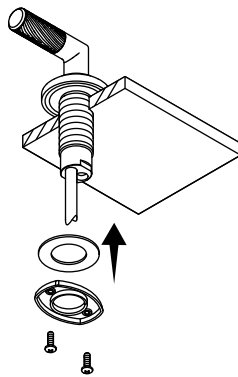
5 Install the screws evenly into the ring until 1/8" (3 mm) is exposed.



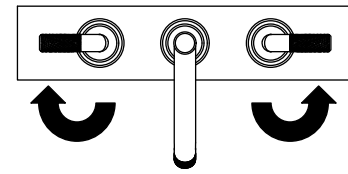
6 Install the O-ring. Install the handle.



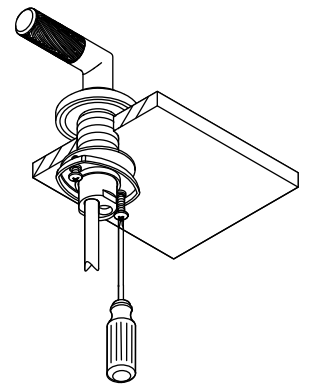
7 Install the washer and ring. Do not tighten the screws.



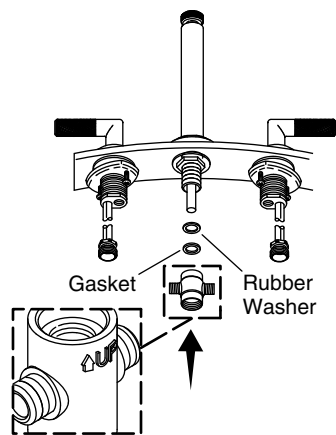
8 Turn the handles to "Off." Align the handles.



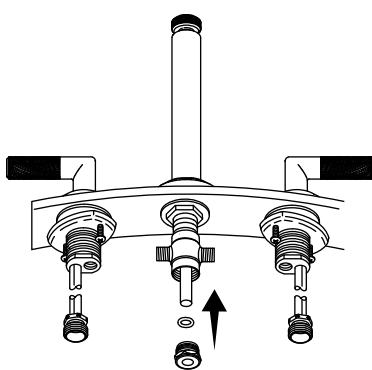
9 Secure the handles.



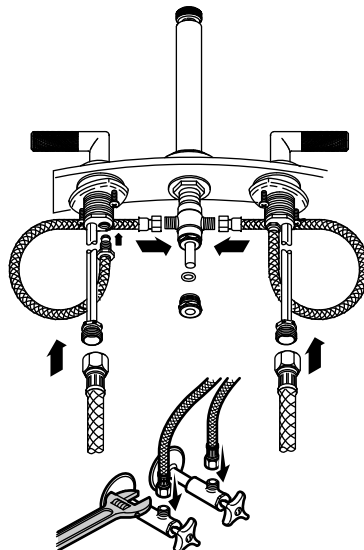
10 Install and tighten the tee.



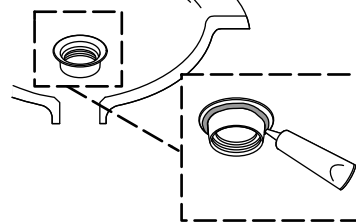
11 Install the O-ring to the tee. Secure with the nut.



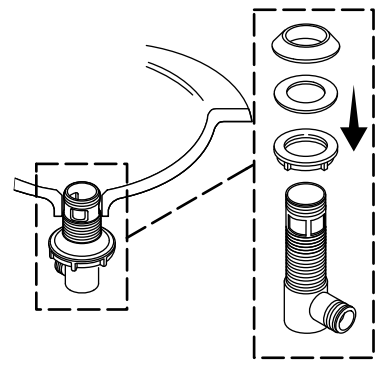
12 Connect the hoses.



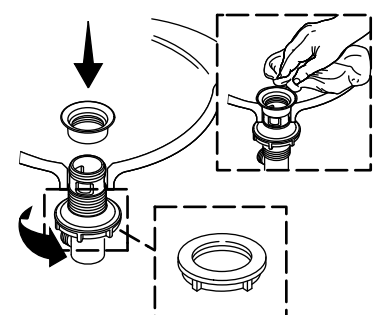
13 Remove the cover and apply plumbers putty to the flange.



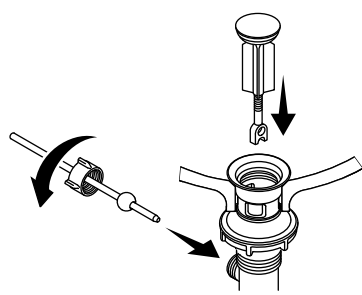
14 Assemble the drain. Install the flange.



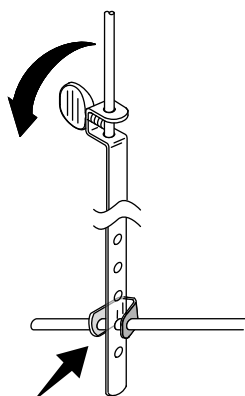
15 Tighten the nut. Tighten the nut. Remove excess sealant.



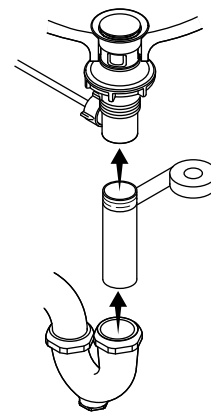
16 Insert the rod and tighten the nut. Insert the stopper. If needed, turn the stopper bolt to adjust the height.



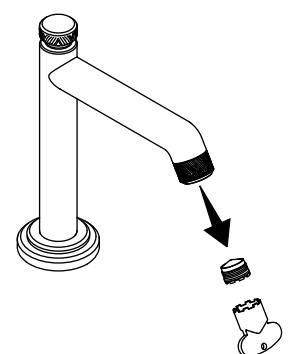
17 Connect the lift rod using the spring clip. Tighten the thumbscrew. Connect the trap to the tailpiece.



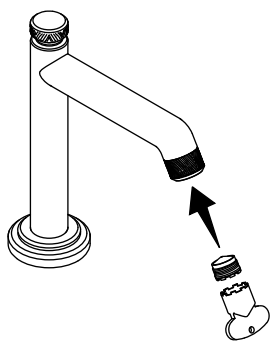
18 Apply thread sealant tape to the tailpiece and install.



19 Remove the aerator. Turn on the water, flush the hoses, and check for leaks.



20 Turn off the water. Reinstall the aerator.



FIVE-YEAR LIMITED WARRANTY

All Kallista products carry Kallista's five-year limited warranty unless otherwise noted.*
Kallista products are warranted to be free of defects in material and workmanship for five years from the date of installation. Kallista will, at its election, repair, replace, or make appropriate adjustment where Kallista inspection discloses any such defects occurring in normal usage within five (5) years after installation. Kallista is not responsible for removal or installation costs. Damages due to improper handling, installation or maintenance are not considered manufacturing defects and are not covered by this warranty. This warranty is valid for the original consumer purchaser only. Use of in-tank toilet cleaners will void the warranty.
To obtain warranty service, contact your Kallista Authorized Showroom.
IMPLIED WARRANTIES INCLUDING THAT OF MERCHANTABILITY AND FITNESS FOR A PARTICULAR PURPOSE ARE EXPRESSLY LIMITED IN DURATION TO THE DURATION OF THIS WARRANTY. KALLISTA AND/OR SELLER DISCLAIMS ANY LIABILITY FOR SPECIAL, INCIDENTAL, OR CONSEQUENTIAL DAMAGES. Some states/provinces do not allow limitations on how long an implied warranty lasts, or the exclusion or limitation of special, incidental or consequential damages, so these limitations and exclusions may not apply to you. This warranty gives you specific legal rights. You may also have other rights which vary from state/province to state/province.
This is Kallista's exclusive written warranty.
* Kallista's Hampstead and Stafford vitreous products, stainless steel accessories, and wooden accessories carry a one-year Limited Warranty.

Questions? Problems? For additional assistance, please contact KALLISTA's Customer Service Department at 1-888-4-KALLISTA (1-888-452-5547) or kallista.com.