

Features

- Project Pack: Supplied 6 per case.
- Includes pressure balance cartridge and mud guard.
- 5.0 gpm (18.9 l/min) maximum flow rate at 45 psi.
- Single lever design cycles from off through cold to hot.
- Antiscald protection.
- One-piece cartridge design simplifies installation and maintenance.
- Adjustable high-temperature limit stop to control maximum water temperature.
- Requires trim and any K-8300 valve body to complete installation (sold separately).
- Pressure-balancing diaphragm technology maintains outlet temperature within +/-3°F during water pressure fluctuations.

Material

- Materials selected to resist attack from aggressive water conditions.

Installation

- Cartridge is reversible for installations where hot and cold supplies are reversed.

Required Products/Accessories

K-8300-K Valve Body Rough-In

or

K-8300-KS Valve Body Rough-In

or

K-8300-PX Valve Body Rough-In

or

K-8300-PS Valve Body Rough-In

or

K-P8300-K Valve Body Rough-In

or

K-P8300-KS Valve Body Rough-In

or

K-P8300-PX Valve Body Rough-In

or

K-P8300-PS Valve Body Rough-In

or

K-P8300-UX Valve Body Rough-In

or

K-P8300-US Valve Body Rough-In

or

K-P8300-IPX Valve Body Rough-In

or

K-P8300-IPS Valve Body Rough-In

or

K-P8300-SWX Valve Body Rough-In

Optional Products/Accessories

K-10350 Deep Rough-In Kit For K-8305 Cartridges

1-800-4KOHLER (1-800-456-4537)

Kohler Co. reserves the right to make revisions without notice to product specifications.

For the most current Specification Sheet, go to www.kohler.com.

7-1-2021 04:53 - US/CA



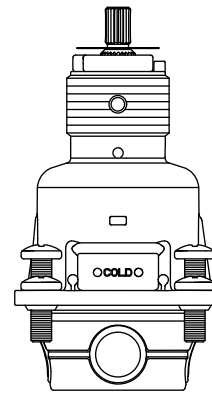
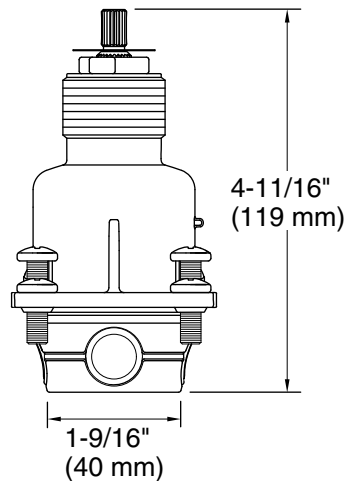
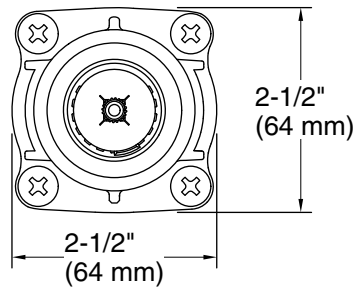
Codes/Standards

ASME A112.18.1/CSA B125.1

ASSE 1016/ASME A112.1016/CSA B125.16

KOHLER® Faucet Lifetime Limited Warranty

See website for detailed warranty information.



Technical Information

All product dimensions are nominal.

Shower Valve:

Pressure:	45 psi (3.1 bar)
Maximum (Static) Pressure:	125 psi (8.6 bar)
Minimum (Operating) Pressure:	20 psi (1.4 bar)

Notes

Install this product according to the installation guide.

Avoid cross-flow conditions. Do not install shut-off device on either valve outlet.

Cap the shower outlet if deck-mount spout, diverter, or handshower is connected to the spout outlet.

Install straight pipe or tube drop of 7" (178 mm) to 18" (457 mm) with single elbow between the valve and wall-mount spout.

For finished walls greater than 3/4" (19 mm) and less than 1-1/2" (38 mm), install support(s) 2" (51 mm) from the stud face.

For finished walls greater than 1-1/2" (38 mm), install support(s) 3" (76 mm) from the face of the finished wall.