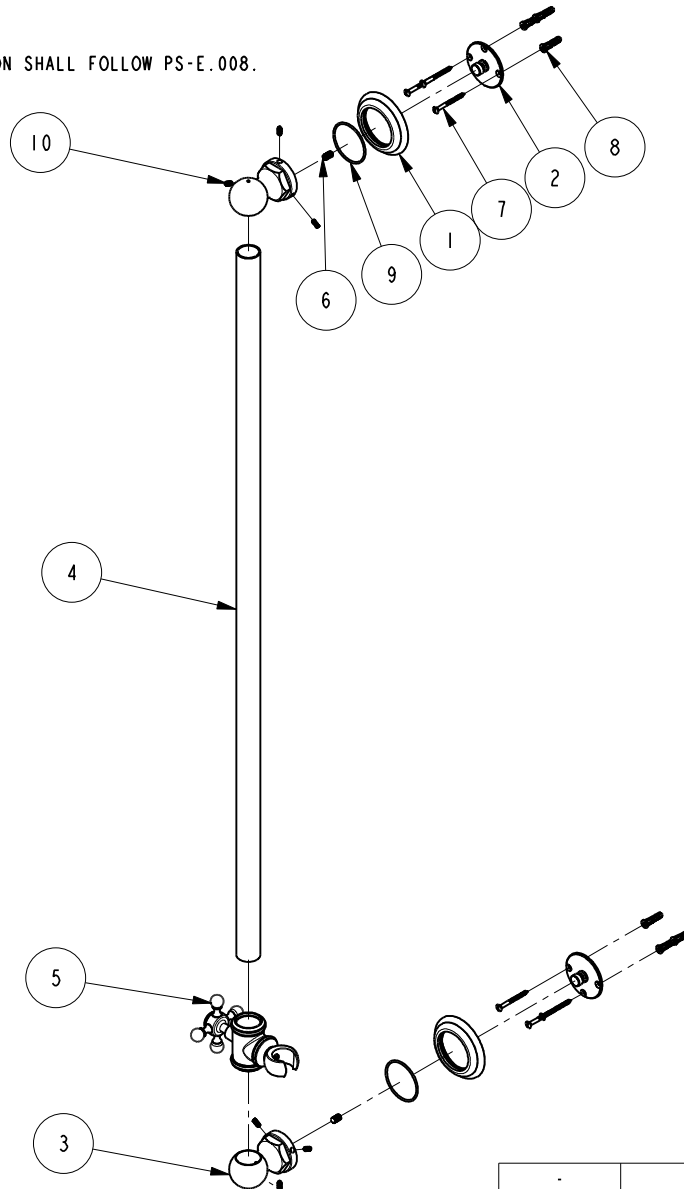


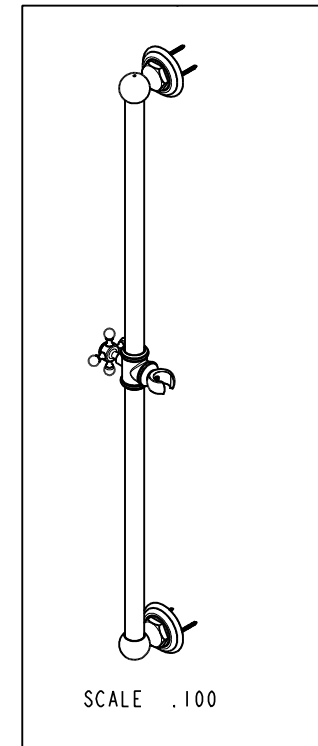
NOTES:

(NI) 1. FIT / FORM / FUNCTION SHALL FOLLOW PS-E.008.



BILL OF MATERIAL (CURRENT LEVEL)

ITEM	PT/ASSY	DESCRIPTION	TYPE	QTY.
1	11385	ESCUTCHEON	PART	2
2	80186	BRACKET	PART	2
3	11376	END POST	PART	2
4	80190	SLIDE BAR TUBE	PART	1
5	3-375	SLIDE BAR HOLDER ASM - TRAD	ASSEMBLY	1
6	92255	SCRW, 1/4-20 X 1/2 SKT HD CONE PT SS	PART	2
7	92051	SCRW, #8 X 1-3/4 SLT OVL HD BRASS	PART	6
8	91165	WALL ANCHOR PLASTIC	PART	6
9	91770	O-RING, #2-031, 50 DURO	PART	2
10	92259	SCRW, 8-32 X 3/8 SKT HD CUP PT SS	PART	6



UNITS ARE: INCHES [MM]

TOLERANCES ARE:

FRACTIONS DECIMALS ANGLES

±1/16" .X ±.1 [2,5] ±°

.XX ±.06 [1,5]

(X.XXX) DENOTES CRITICAL DIMS.

ALL THREADS ARE CRITICAL

DRAWN JINSON 02/08/19

CHECKED C.G. 02/08/19

APPROVED C.G. 02/08/19

BRASSTECH
INCORPORATED

2001 CARNEGIE AVE.
SANTA ANA, CA 92705
(949) 417-5207

HAND SHOWER SLIDE BAR

DWG NO. 294

REV C

SCALE .125

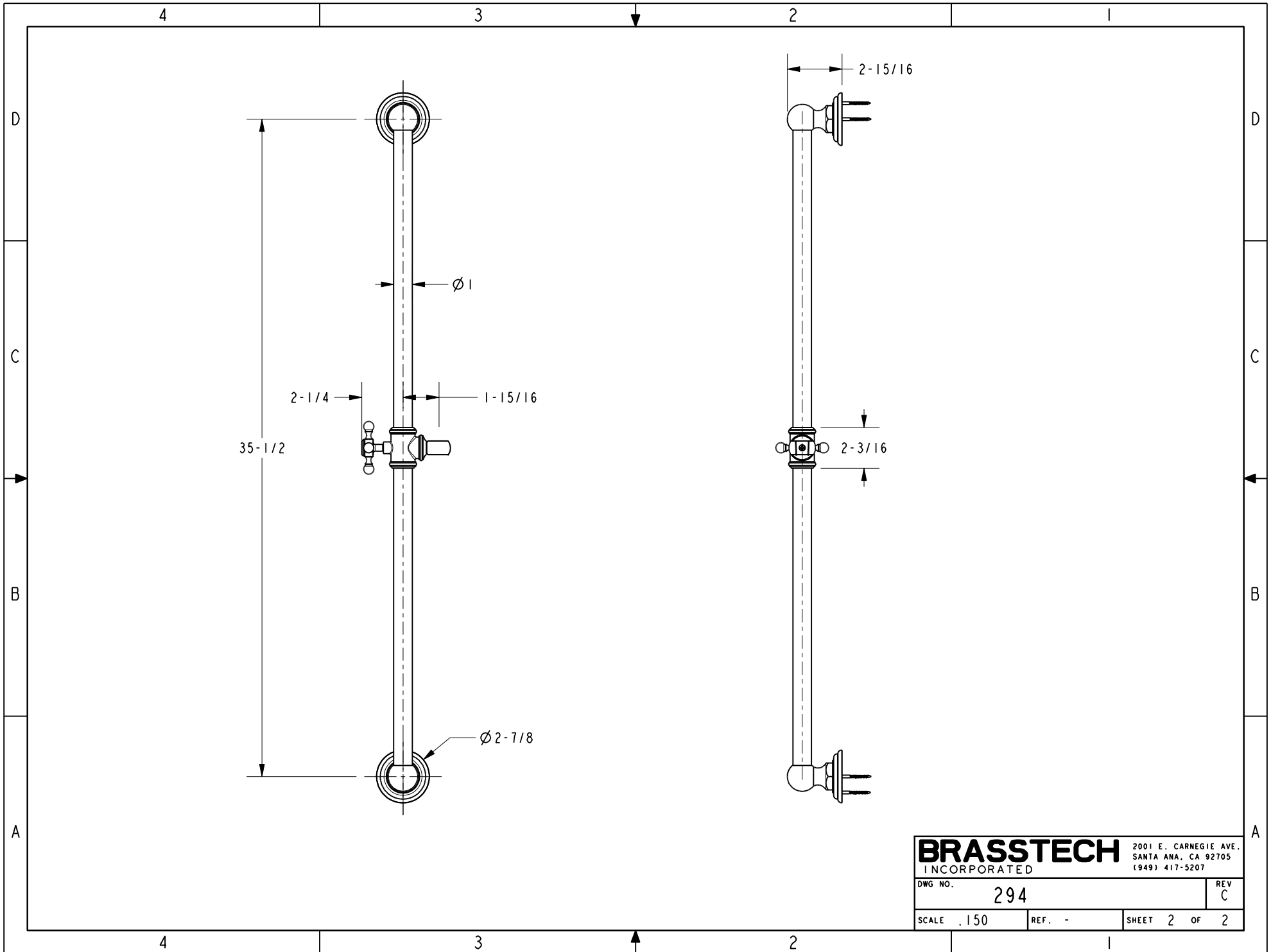
REF. -

SHEET 1 OF 2

ZONE	REV	DESCRIPTION	DATE	APPROVED
-	C	EN-3942	09/25/19	V.V.
-	B	EN-3722	02/08/19	C.G.
-	A	EN-1426	04/15/10	-
-	-	EN-0940	02/11/08	-

COPYRIGHT 2005 BRASSTECH, INC.
THESE DRAWINGS AND THE DESIGNS
DEPICTED HEREIN ARE THE PROPRIETARY
PROPERTY OF BRASSTECH. ANY USE
OR REPRODUCTION IS SUBJECT TO
THE EXPRESS APPROVAL OF BRASSTECH.
UNAUTHORIZED USE IS STRICTLY
PROHIBITED. ALL RIGHTS RESERVED.

TESTING	-	-	-
ASSEMBLY	-	-	-
PLATING	-	-	-
POLISHING	-	NEXT ASSY	USED ON
MACHINING	-	APPLICATION	
TOOLING FIXTURE #	REMOVE ALL BURRS AND SHARP EDGES		



BRASSTECH		2001 E. CARNEGIE AVE. SANTA ANA, CA 92705 (949) 417-5207	
DWG NO.	294	REV	C
SCALE	.150	REF.	-
SHEET 2		OF 2	