

CODE NUMBER

4024500

DESCRIPTION

Polished Chrome Finish, Act-O-Matic® Institutional Showerhead.

DETAILS

- Finish: Polished Chrome (CP)
- Flow Rate: 2.5 gpm (10 Lpm) (2.5GPM)
- Self-Cleaning: Yes

FEATURES

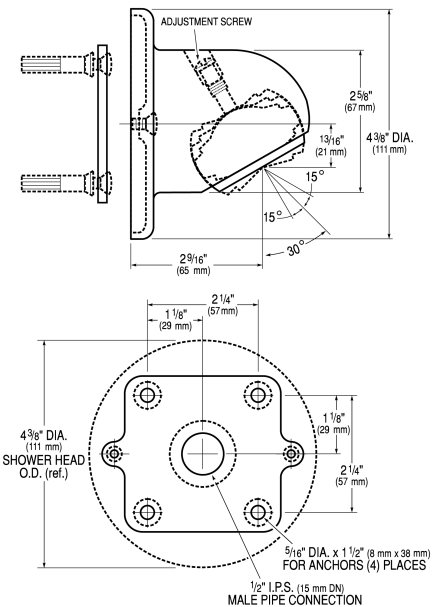
Act-O-Matic, Chrome Plated Shower Head with the following features:

- Spring loaded, self-cleaning spray disc to prevent particle clogging
- “Cone-within-a-cone” Spray Pattern for total body coverage
- Adjustable spray angle with pressure compensating 2.5 gpm (9.4 Lpm) flow control
- All Brass Construction
- Mounting Plate with Vandal Resistant Mounting Screws
- Fast drain feature to prevent residual slow dripping
- 1/2” IPS inlet

Shower Head shall be in conformance to all requirements of ANSI/ ASME Standard A112.18.1M, CSA B-125 and the United States Federal Energy Policy Act.

DOWNLOADS

- [AC 450/460 Installation Instructions](#)
- [AC-450 \(Spanish\) Installation Instructions](#)
- [Showerhead Parts and Accessories Repair and Maintenance Guide](#)
- [Additional Downloads](#)


COMPLIANCES & CERTIFICATIONS


(BAA Compliant, cUPC Certified)

RECOMMENDED SPECIFICATION

Sloan Act-O-Matic Institutional Showerhead model no. AC-450 2.5 gpm. Vandal Resistant and Chrome Plated.

NOTES

All information contained within this document subject to change without notice.

Sloan 10500 Seymour Ave, Franklin Park, IL 60131

 Phone: 800.982.5839 • Fax: 800.447.8329 • sloan.com